



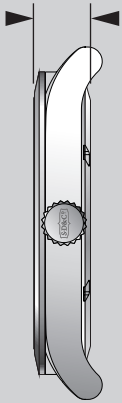
STEWART DAWSON

COLLECTION  
WESTMINSTER

REF. Number  
**1540.Q.SS.01**

Side view

7,5 mm



Back view

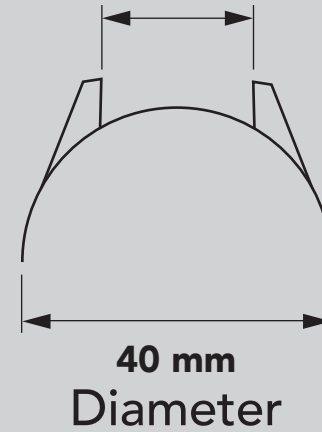


Front view



Lugs

21 mm



40 mm

Diameter

Stainless  
Steel



**WATER**  
resistant



**10 ATM**  
**10 BAR**  
**100 MT**  
**330 FT**



40181 700982

**BLACK**

UPC Number  
**720053780529**

Quartz  
Movement



Sapphire  
Crystal



Material  
Stainless  
Steel  
**316 L**

MSRP  
US\$ 000